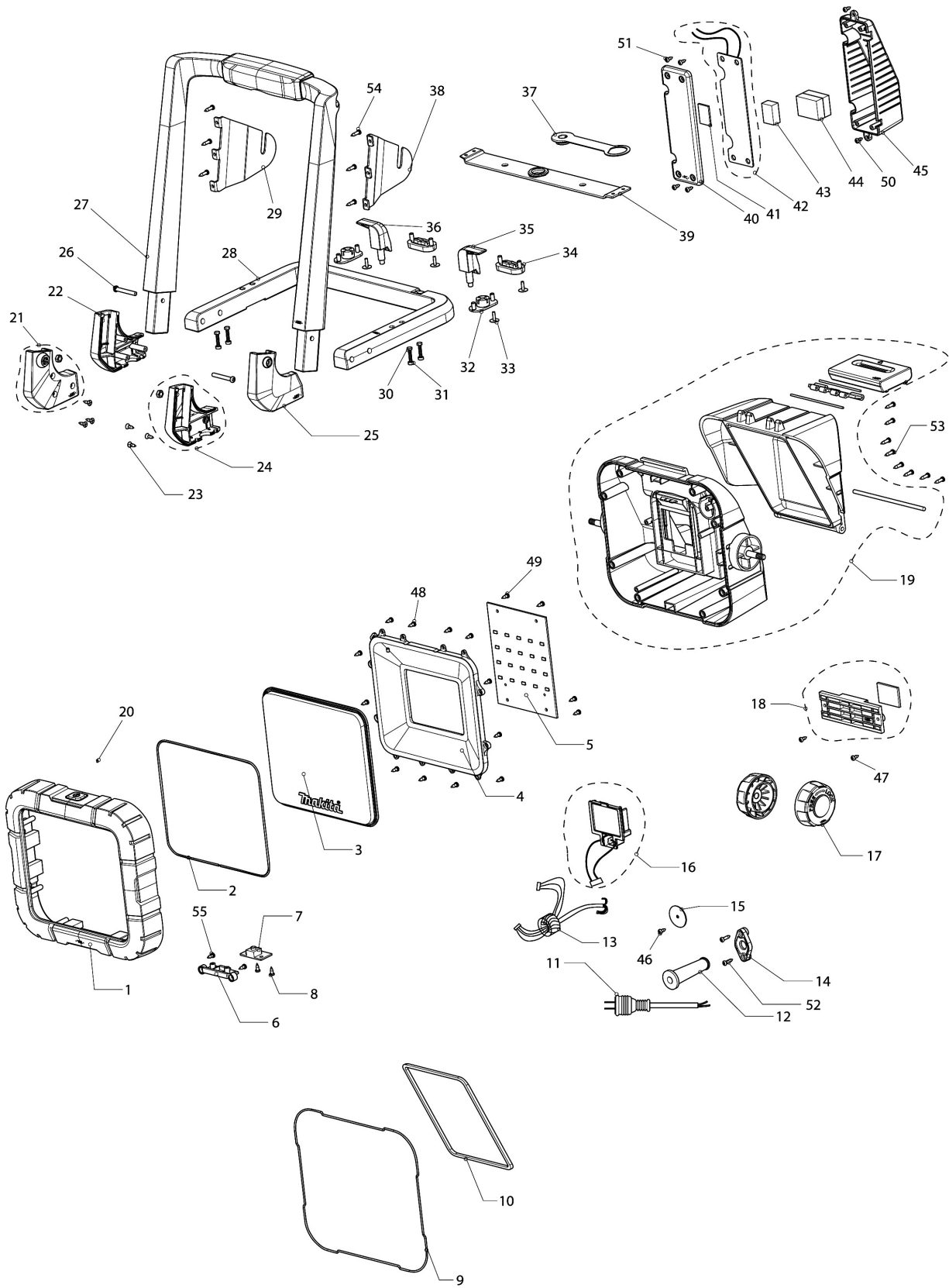


Model No.DML805 RECHARGEABLE FLASH LIGHT



Model No.DML805 RECHARGEABLE FLASH LIGHT

Položka	Objednávacie číslo	Popis	Zmena	ks	New/Old	Možnosť 1	Možnosť 2	Poznámka
001	GM00001356	HOUSING(FRONT) ROS88050100		1				
002	GM00001353	PACKING C9020805002		1				
003	GM00001378	LENS ROS88052000		1				
004	GM00001358	REFLECTOR ROS88050300		1				
005	GM00001359	LED CIRCUIT ROS88050400		1				
006	GM00001341	SWITCH BRACKET C2820805007		1				
007	GM00001360	SWITCH CIRCUIT ROS88050500		1				
008	GM00001332	SCREW 3 X 8 PB B0130080702		2				
009	GM00001354	PACKING C9020805003		1				
010	GM00001352	PACKING C9020805001		1				
011	GM00001424	POWER SUPPLY CORD		1				
012	GM00001417	CORD GUARD		1				
013-1	GM00001429	LEAD WIRE ASSY		1				
014	GM00001344	CORD CLAMP C2820805010		1				
015	GM00001338	CORD HOLDER B0405805120		1				
016	GM00001430	BATTERY HOLDER		1				
017	GM00001342	KNOB C2820805008		2				
018	GM00001363	FIX PLATE ASSY ROS88050800		1				
019	GM00001379	BATTERY COVER ASSY ROS88051900		1				
020	GM00001343	SWITCH ROD C2820805009		1				
021	GM00001371	BRACKET LR ASSY ROS88051600		1				
022	GM00001345	BRACKET LL C2820805013		1				
023	GM00001334	SCREW 3 X 12 KA B0130120721		6				
024	GM00001372	BRACKET RL ASSY ROS88051700		1				
025	GM00001346	BRACKET RR C2820805016		1				
026	GM00001336	SCREW PM4X29 B0140290704		2				
027	GM00001365	FRAME ROS88051000		1				
028	GM00001366	BASE ROS88051100		1				
029	GM00001367	HANGER L ROS88051200		1				
030	GM00001335	SCREW M3 X18 B0130180754		4				
031	GM00001337	NUT M3 B0203007000		4				
032	GM00001350	FOOT (FRONT) C7420805002		2				
033	GM00001331	SCREW 2.6 X 10 PWB B0126100706		4				
034	GM00001351	FOOT (BACK) C7420805003		2				
035	GM00001347	CORD HOOK(R) C2820805017		1				
036	GM00001348	CORD HOOK (L) C2820805018		1				
037	GM00001349	ADAPTER C5220805001		1				
038	GM00001368	HANGER R ROS88051300		1				
039	GM00001369	UNDER STAND ROS88051400		1				
040	GM00001340	HOUSING (BOTTOM) C1920805002		1				
041	GM00001374	PAD(A) A3255201501		1				
042	GM00001415	POWER CIRCUIT ASSY		1				
043	GM00001328	PAD(B) A3255201300		1				
044	GM00001375	PAD(C) A3255252501		1				

Model No.DML805 RECHARGEABLE FLASH LIGHT

Položka	Objednávacie číslo	Popis	Zmena	ks	New/Old	Možnosť 1	Možnosť 2	Poznámka
045	GM00001376	HOUSING (TOP) C1920805003		1				
046	GM00001332	SCREW 3 X 8 PB B0130080702		1				
047	GM00001332	SCREW 3 X 8 PB B0130080702		2				
048	GM00001332	SCREW 3 X 8 PB B0130080702		12				
049	GM00001332	SCREW 3 X 8 PB B0130080702		4				
050	GM00001332	SCREW 3 X 8 PB B0130080702		2				
051	GM00001332	SCREW 3 X 8 PB B0130080702		4				
052	GM00001333	SCREW 3 X 12PB B0130120702		2				
053	GM00001333	SCREW 3 X 12PB B0130120702		8				
054	GM00001333	SCREW 3 X 12PB B0130120702		6				
055	GM00001333	SCREW 3 X 12PB B0130120702		2				
A01-1	GM00001427	CABLE TIE		1				

Please order the parts with part number.

Print Date 18/11/2019